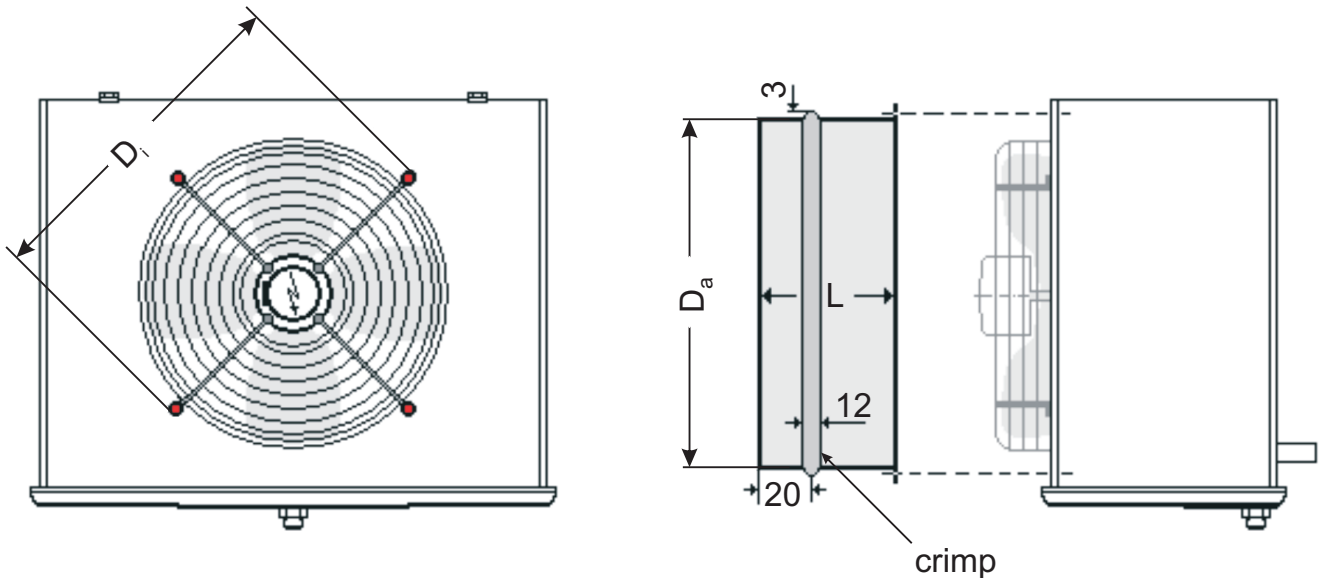


Datasheet to determine the textile hose adapter

The inner diameter D_i of the adapter has to be measured over the fixing points of the fan guard.

To avoid ice build-up at the air guide seam, it has to be mounted in a twelve o'clock position.

A gradient of the adapter to the air cooler is necessary, so that draining water always can run into the cooler and in no case into the textile SHUT UP®.



The textile air guide connection piece (adapter) L must be approx. 10 mm (3/8 in) longer than the fan motor and fan guard.

The adapter flange has to be mounted airtight to the fan sheet metal!

Here please enter the outside diameter D_a of the textile air guide connection piece where SHUT UP® has to be fixed at!

Dimensions in mm : mm
 Your company :
 Your request dated :
 Your order dated :
 Your commission: :
 Pieces :
 Cooler type :
 With textile air guide ? yes no
 Person in charge :
 Delivery time :
 Date/ signature :

ATTENTION! SHUT UP® Systems basically should be used only in connection with the air guide.

Is there no air guide on hand ex factory, we can deliver SHUT UP® with textile air guide.